

HAFCO

OPERATION MANUAL



COOLANT PUMP & TANK

Model CPP-20LTR

Order Code P235

Edition No :CPP-20-1

Date of Issue :09/2021

www.machineryhouse.com.au

OPERATION MANUAL

MACHINE DETAILS**MACHINE**

COOLANT PUMP & TANK

MODEL NO.

CPP-20LTR

SERIAL NO.**DATE OF MANF.**

Distributed by

MACHINERYHOUSEwww.machineryhouse.com.auwww.machineryhouse.co.nz**NOTE:**

This manual is only for your reference. Owing to the continuous improvement of the HAFCO unit, changes may be made at any time without obligation or notice. Please ensure the local voltage is the same as listed on the specification plate before operating this electric machine.

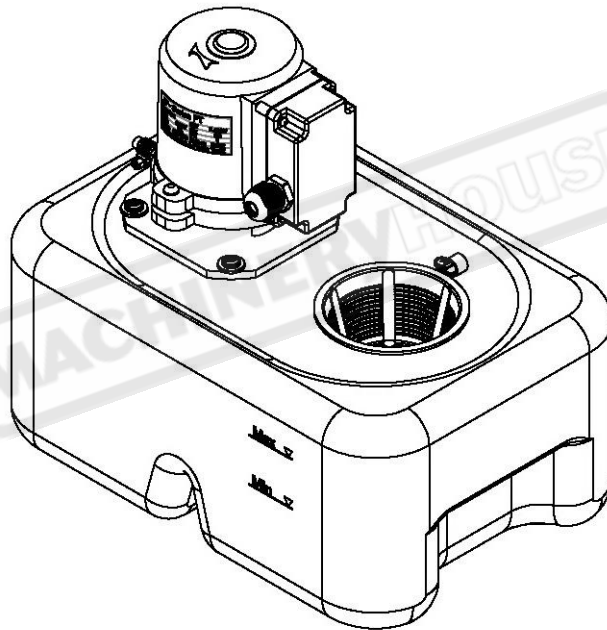
**NOTE:**

In order to see the type and model of the machine, please see the specification plate. Usually found on the motor of the machine.

OPERATION MANUAL

CONTENTS:

1. Function Description
2. Before Operating
3. Operation
4. Troubleshooting
5. Specification
6. Control circuit diagram and component part list
7. Safety Requirements
8. Drawing and parts list

**Features**

- Complete unit includes 1/8HP pump
- PVC supply and drain hose
 - On/Off switch (IP54)
- Magnetic base nozzle
- PVC tank

CAUTION: BEFORE USING THE MACHINE BE SURE TO READ THIS MANUAL

1. FUNCTION DESCRIPTION



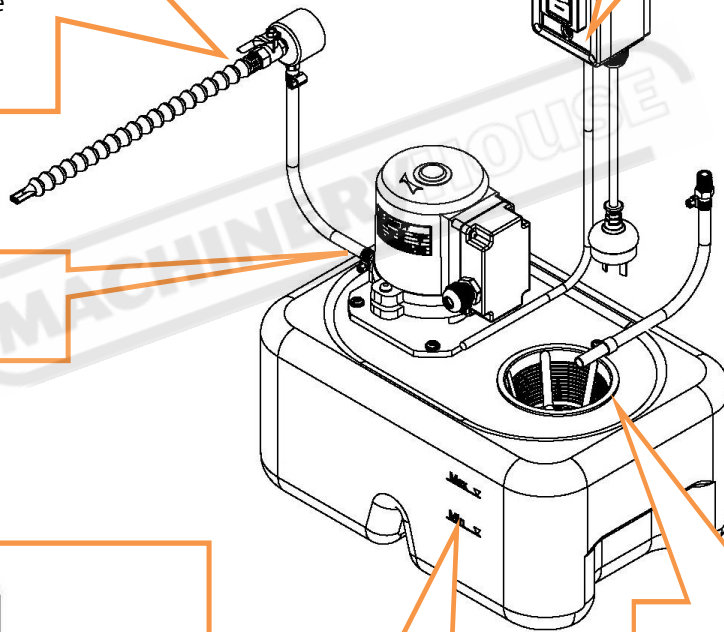
Magnetic Holder of Universal Bending Pipe (Able to stick to any metal surface) + Adjustable Water Valve



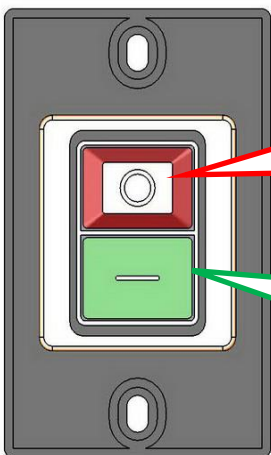
Switch Box Holder



IP54 Switch of Dust-Proof and Water-Proof and Switch Box



IP54 Dust-Proof and Water-Proof



Stop Button

Start Button

Max ▼

Min ▼

High and Low Water Mark

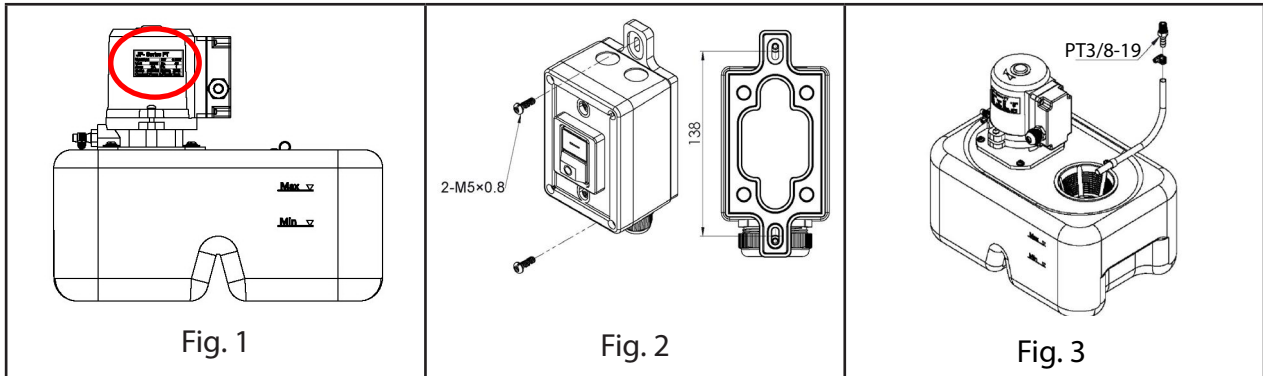


Recycling Water Pipe Holder

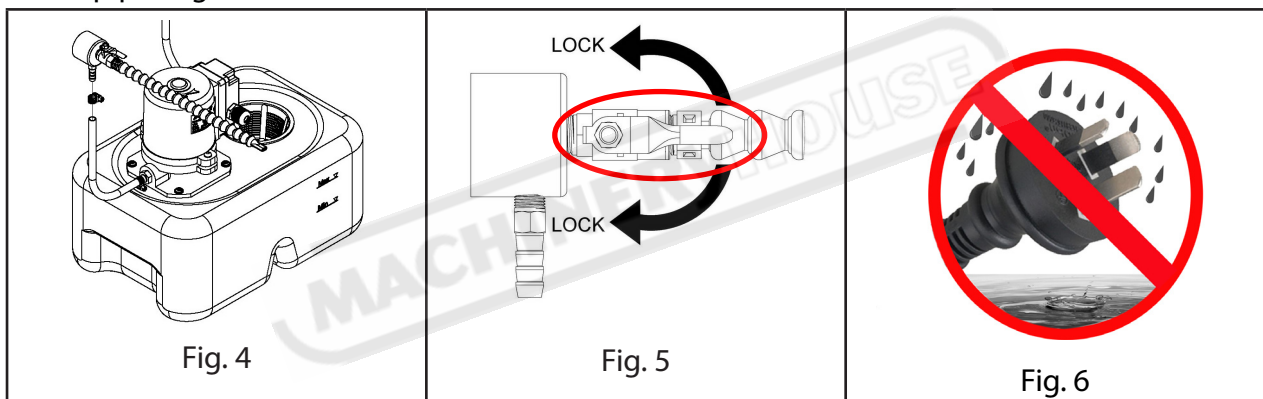
OPERATION & NOTICES :

2. BEFORE OPERATION

A. Confirm if power supply, voltage, Hz comply with those indicated on the nameplate. (Fig1)



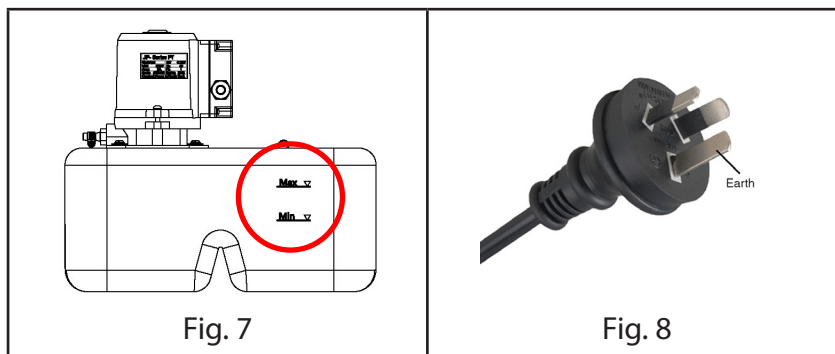
B. Fix the switch box properly (Fig2), install the water return pipe (Fig3), and install the water outlet pipe (Fig4).



C. Adjust the water outlet hose so the flow can be directed onto the workpiece and close the water outlet valve (Fig5), keep the power lead dry (Fig6), untangled and placed where it cannot be crushed or damaged.

D. Add cooling liquid to the high water level on the PVC tank, approximately 10 liters (Fig7).

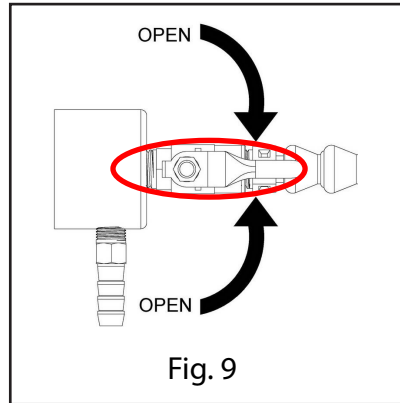
NOTE: Thick and Sticky cooling fluid cannot be used in this pump. (**Coolant : Soluble Metal Cutting Fluid.**) Soluble oil is available in 5 ltrs (Order Code S090) and a 20 ltr drum (Order Code S091)



E. Confirm that the pump is grounded and if possible, connected to a power point with earth leakage protection fitted.(Fig8)

3. OPERATION

A. After switching on the power supply, open the water outlet valve and adjust to suit the volume required. (Fig. 9).



B. If under a normal operation, there is no water flow, please see the Trouble Shooting section below for remedy. After the cause is fixed, the power can be restarted.

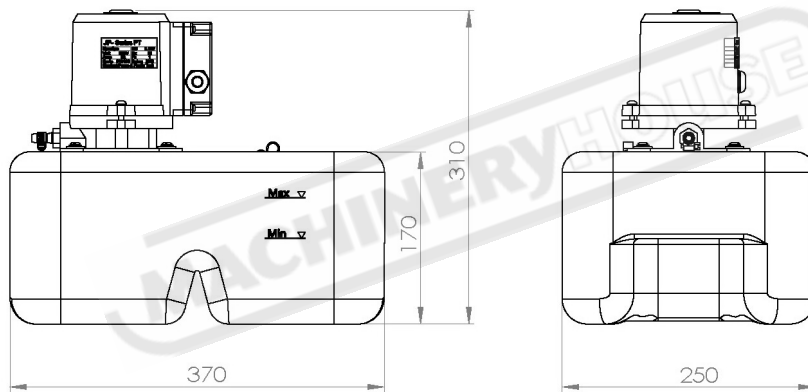
C. When the water level is too low, the flow will cease or become intermittent. Turn off the power and replace or replenish the cooling liquid to avoid damaging the pump.

4. TROUBLE SHOOTING

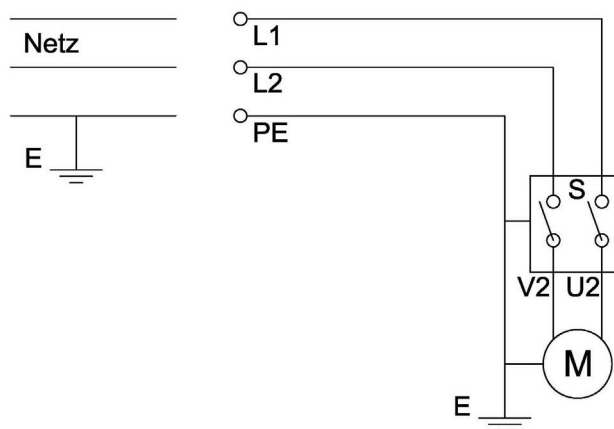
Failure	Cause	Remedy
Pump does not turn on	1. Circuit breaker is not connected.	Connect it.
	2. Pump not plug in.	Plug in pump.
	3. Broken cable.	Replace it.
	4. No power supply.	Turn on the power source.
	5. Defective motor.	Repair or replace it.
	6. Impeller is clogged.	Clean or replace it.
Pump stop suddenly or slow down.	1. Impeller is clogged.	Clean it.
	2. Circuit breaker trip.	Reconnect circuit breaker.
	3. Motor failure.	Repair or replace it.
	The cooling liquid is too sticky or impure; replace with new suitable cooling liquid. (Coolant : Soluble Metal Cutting Fluid.)	
Pump runs normally, but does not deliver rated capacity.	1. Water level too low.	Stop the pump and refill the tank
	2. Impeller clogged	Clean or replace it
	3. Strainer blocked	Clean it.
	4. Discharge pipe runs too long.	Correct it in reference to rating table

5. SPECIFICATION

Order Code	P235
Model	CPP-20LT
Type	Coolant Pump & Plastic Tank
Tank Capacity	Max 13 Liter
Voltage	200~240V
Motor Power	1/8HP (72W) 1Ph
Lift (meter)	3.5M
Max. Output	6L/min (Coolant : Soluble Metal Cutting Fluid.)
Net Weight,(Kgs)	8kg
Packing Dimension (mm)	385 x 270 x 365
Gross Weight (Kgs)	8.7



6. CONTROL CIRCUIT DIAGRAM AND COMPONENT PART LIST;



Part No.	Component/Object	Type/Model	Rating/ Technical Data	Pcs.
S	On/Off switch	KJD12	AC 220~240V/16A	1
M	Pump Motor	JP- 8150	200~240V / 72W / 1Ph / 0.2A	1

7. SAFETY

MAINTENANCE. Make sure the coolant pump is turned off and disconnect from the main power supply before any inspection, adjustment or maintenance is carried out. The coolant tank filter should be cleaned on a regular basis to keep the pump free from being blocked. Replace nozzles, hoses & pump when they become worn. Check the system for any leaks,

UNDERSTAND THE UNIT CONTROLS. Make sure you understand the use and operation of all controls.

POWER OUTAGE. In the event of a power failure during use of this unit, turn off all switches to avoid possible sudden start up once power is restored.

HAND PROTECTION. It is recommended to wear correct safety gloves when cleaning this unit

MAINTAIN POWER CORDS. When disconnecting cord connected units from power, grab and pull the plug—NOT the cord. Pulling the cord may damage the wires inside. Do not handle cord/plug with wet hands. Avoid cord damage by keeping it away from heated surfaces, high traffic areas, harsh chemicals, and wet/damp locations

CHECK DAMAGED PARTS. Regularly inspect the unit for any condition that may affect safe operation. Immediately repair or replace damaged or mis-adjusted parts before operating the unit.

DISPOSAL OF WASTE CUTTING FLUID

Always dispose of the waste cutting fluid in a responsible way. If you are not sure of the method then contact your coolant supplier or read the MSDS fact sheet for your fluid.

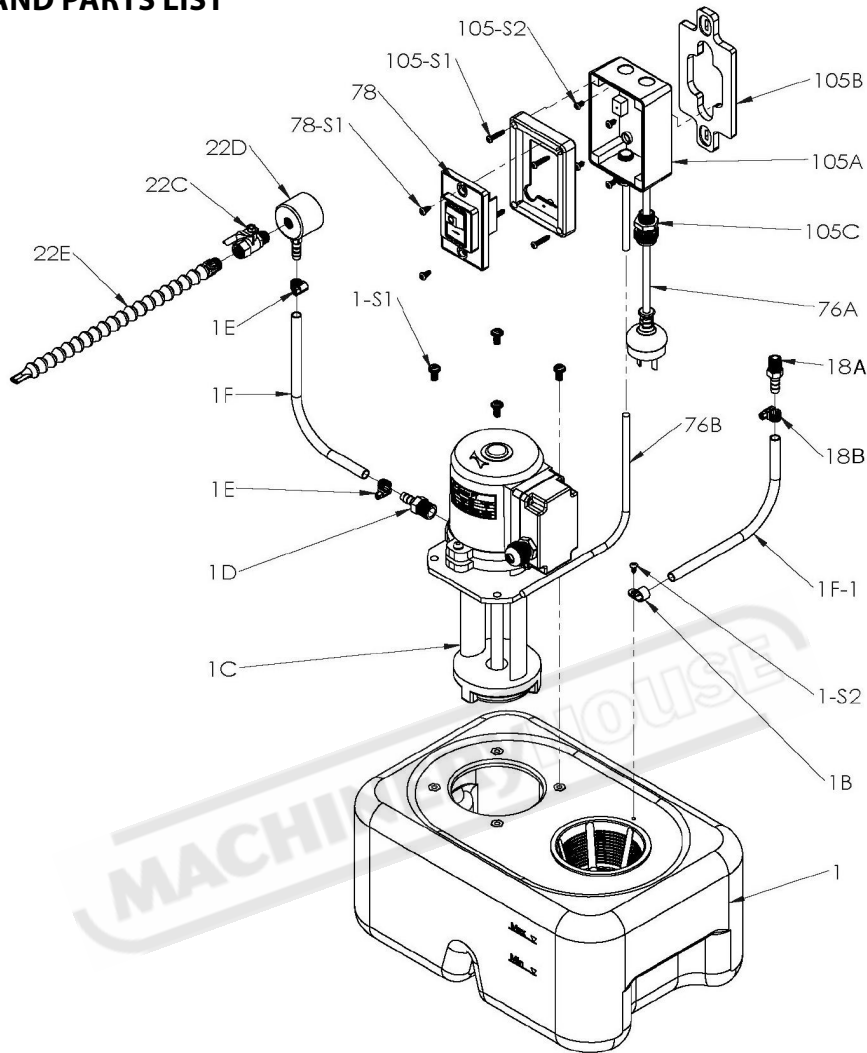
SPARE PARTS SECTION

The following section covers the spare parts diagrams and lists that were current at the time this manual was originally printed. Due to continuous improvements of the machine, changes may be made at any time without notification.

HOW TO ORDER SPARE PARTS

1. Have your machines **model number, serial number & date of manufacture** on hand, these can be found on the specification plate mounted on the machine
2. A scanned copy of your parts list/diagram with required spare part/s identified
3. Go to www.machineryhouse.com.au/contactus and fill out the inquiry form attaching a copy of scanned parts list.

8.DRAWING AND PARTS LIST



No.	Component	Rating	Pcs.
1	PVC Tank	10Litre	1
1B	Connector	1/2"	1
1C	Pump Motor	8150/240V 1Ph	1
1D	Adapter	PT3/8x5/16	1
1E	Clamp	1/2"	2
1F	Hose	5/16 x 1900mm	1
1F-1	Hose	1/2" x 1540mm	1
1-S1	Screw	1/4 x 1/2	4
1-S2	Screw	St 4 x L10	1
18A	Adapter	PT3/8 x 1/2"	1
18B	Clamp	3/4"	1
22C	Valve	1/4 x 1/4	1
22D	Magnetic Base	Ø40x1/4x5/16	1

No.	Component	Rating	Pce
22E	Nozzle	1/4" x 19P	1
76A	Wire	0.75x3Cx3M	1
76B	Motor Wire	0.75x3cx2m	1
78	ON/OFF Switch	KJD12	1
78-S1	Screw	St 3.5 x L10	2
105A	Switch Box	BKJD	1
105B	Switch Bracket	TC5	1
105C	Cable Glands	PG11	2
105-S1	Screw	St 4 x L20	4
105-S2	Screw	St 4 x L10	4